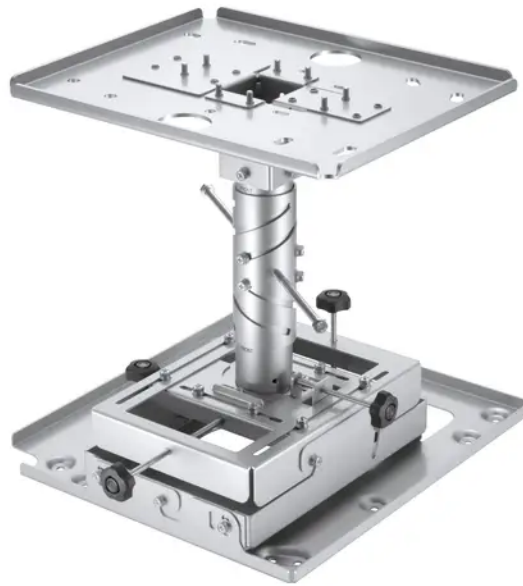


Panasonic



High ceiling mount bracket with 6-axis adjustment mechanism

ET-PKD130H

High ceiling mount bracket, compatible with PT-REQ15/REQ12/REQ10/REQ80 PT-REZ15/REZ12/REZ10/REZ80 PT-RQ7L/RQ6L/RZ7L/RZ6L PT-RCQ10/RCQ80 PT-RZ120 PT-RZ990/RZ890/RZ790/RZ690 PT-FRQ60/FRQ50 PT-FRZ60/FRZ50/FRZ55 PT-MZ20K/MZ17K/MZ14K/MZ11K PT-MZ882/MZ782/MZ682 PT-MZ880/MZ780/MZ680 PT-EZ770Z/EW730Z/EX800Z PT-EZ590/EW550/EX620/EX520 PT-FZ570/FX500 PT-CMZ50



ET-PKD130H

<https://ap.pnd.panasonic.com/nz/en/et-pkd130h>

Accessory Type	High ceiling mount bracket
Applicable projectors	PT-REQ15/REQ12/REQ10/REQ80 PT-REZ15/REZ12/REZ10/REZ80 PT-RQ7L/RQ6L/RZ7L/RZ6L PT-RCQ10/RCQ80 PT-RZ120 PT-RZ990/RZ890/RZ790/RZ690 PT-FRQ60/FRQ50 PT-FRZ60/FRZ50/FRZ55 PT-MZ20K/MZ17K/MZ14K/MZ11K PT-MZ882/MZ782/MZ682 PT-MZ880/MZ780/MZ680 PT-EZ770Z/EW730Z/EX800Z PT-EZ590/EW550/EX620/EX520 PT-FZ570/FX500 PT-CMZ50